

## Required tools

- Impact drill
- Rock drill D=10mm
- Spanner SW13 / SW10
- Level
- Metal saw
- Screw driver (cross)
- Tape measure

## Preparation

- All water and flushing connections have to be switched off and fitted with a flush sitting blanking plug
- Electrical control units and connections must be disconnected
- Make sure the wall socket is in perfect condition before starting the installation. Replace any parts required if necessary
- In order to install Bocelli Waterless you need DN50 pipe for the wall installation. It is not recommended to use smaller cross section than DN50 pipe for the installation.
- Remove the old mounting of the urinal basin and the wall connection if necessary.

## Included in the package

- **Urinalbecken Senza Aqua - Ceramic**  
Artikelnummer: SA-MC-01
- **Montageset**  
Artikelnummer: SA-MC-MON  
Einzelteile:
  - 2 x Montagewinkel
  - 2 x Dübel 10 mm
  - 2 x Sechskant Schraube SW 13
  - 2 x Kunststoffhülse
  - 2 x Befestigungsschraube 6 x 30
  - 2 x Abdeckkappe
- **Auffangsieb**  
Artikelnummer: SA-MC-AS
- **HT Rohrset**
  - 2 x DN 50 / 87°
  - 1 x DN 50 / 150
- **Sperrflüssigkeit Senza Aqua - Liquid**  
Artikelnummer: SA-Z-SAL
- **Duftsteine - Senza Aqua - Fresh n Clean**  
Artikelnummer: SA-Z-FC

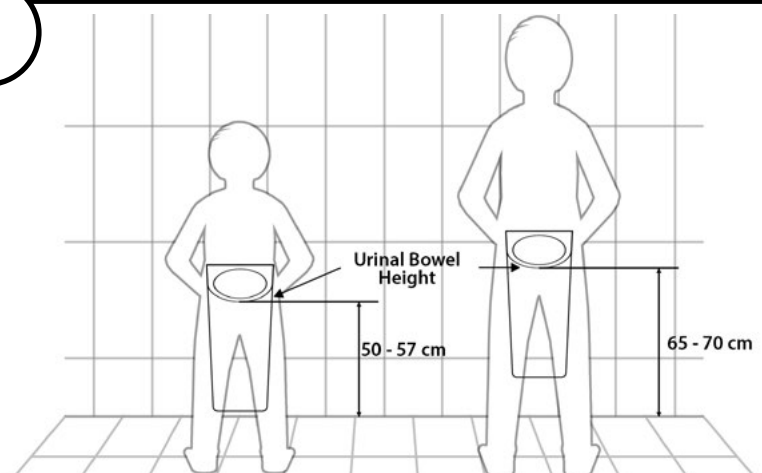
## Manufacturer

Senza Aqua AG, Hafenstrasse 20, CH-8280 Kreuzlingen

**Telefon** +41 (0) 716 723 552  
**Telefax** +41 (0) 716 723 553  
**eMail** email@senzaaqua.com  
**Internet** www.senzaaqua.com

All dimensions, pictures and technical data have been carefully created.  
 We receive the right to modify or change the information at any time.  
 © 2013

1



The correct assembly height depends on the age of the users.

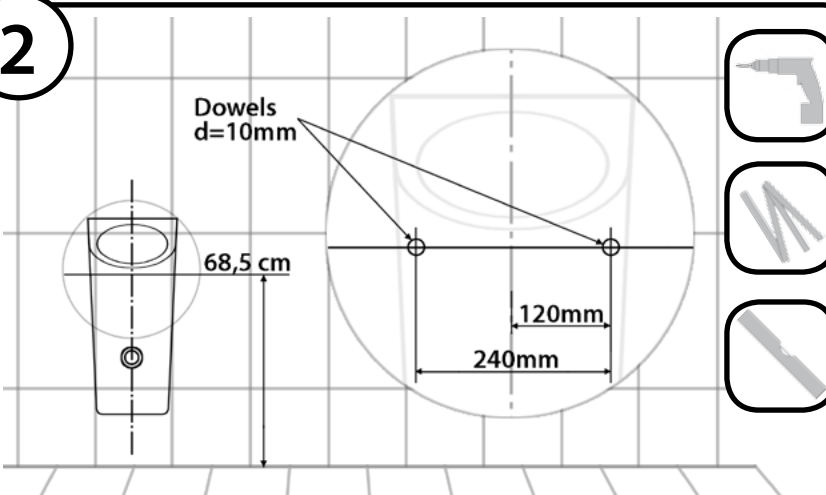
The following table is used as a guide to determine the recommended urinal bowl height for the different age groups. The recommended height is 65cm.

Age	Urinal bowl height	Height of the dowel holes (= the height of the urinal bowl + 3,5 cm)
Adults	65 - 70cm	68,5cm - 73,5cm
Youth	57cm	60,5cm
Children up to 10 yrs.	50cm	53,4cm

➤

Select the desired height of the urinal bowl and determine the correct height for the dowel holes.

2



i

For the required bowl height of 65cm the dowel holes need to be 68,5 cm high

i

Put the dowels 240mm apart from each other.

a

Measure the dowel holes (68,5cm from the oor) and use a level to get a straight line. Draw a straight line.

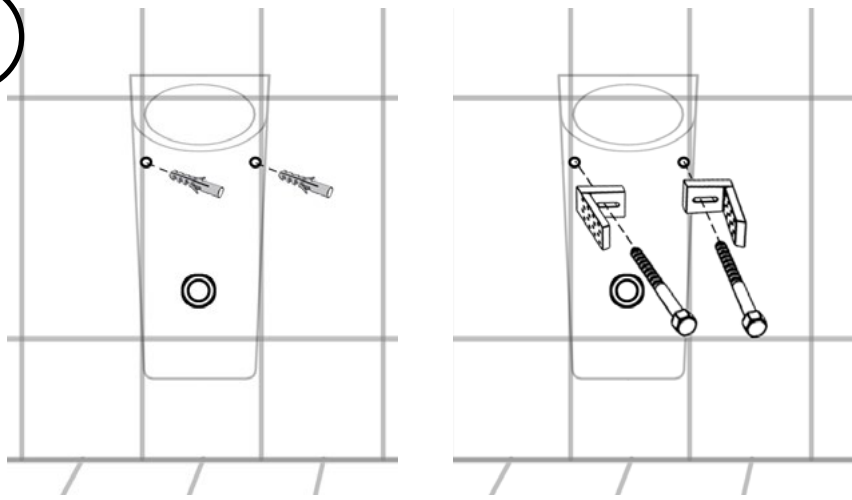
b

Mark the dowel holes on the line 240mm apart from each other.

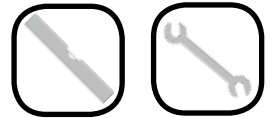
c

Drill two dowel holes (d=10mm).

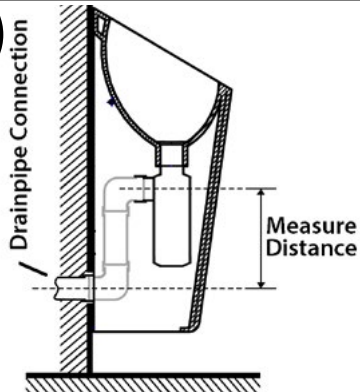
3



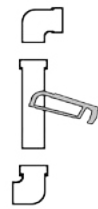
- a** Put the dowels in the drill holes
- b** Use the hexagon screws to fasten the plastic wall bracket to the wall. Check the alignment with a level before tightening.



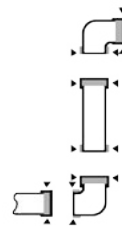
4



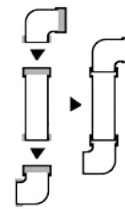
Cut to required lengths



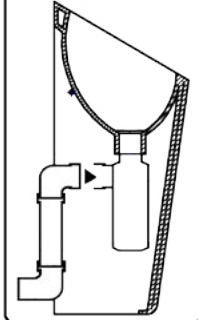
Apply HT Lubricant



Connect cut pipe sections

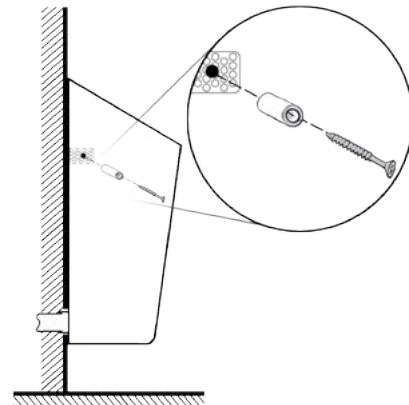
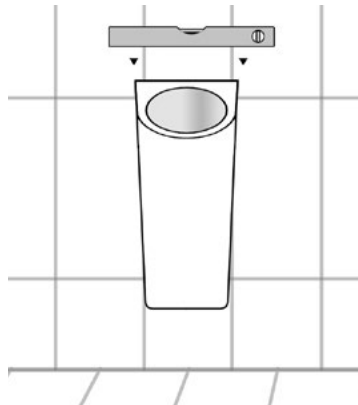
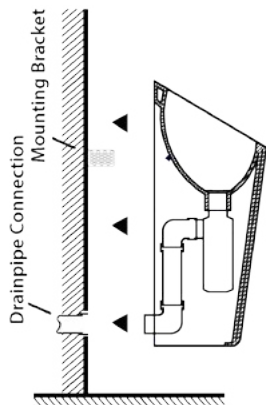


Install



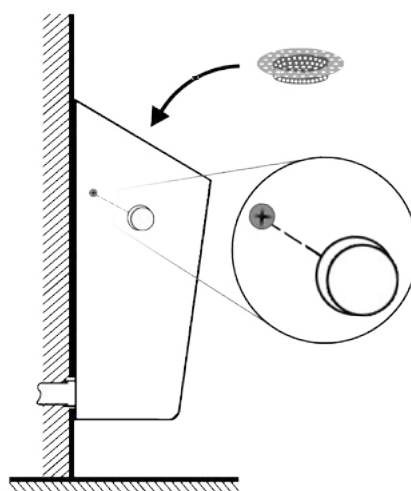
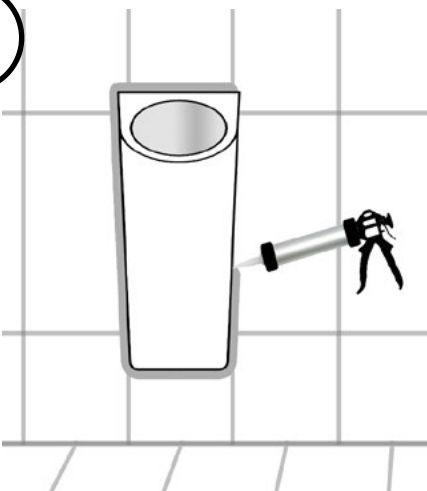
- a** Measure the distance between discharge opening and the wastewater connection. Make sure that there is a minimum slope of 2 degrees of the discharge opening for sewage connection.
- b** Cut the DN50 x 1450 HT pipes into required lengths. Put some lubricant on the connecting edges.
- c** Connect the individual pipe sections and then insert into the end of the urinal. Make sure that the pipe seals tightly.

5



- a** Connect the drainpipe into the wall and at the same time position the urinal on the mounting bracket.
- b** Check the alignment of the urinal with a level.
- c** Fasten the urinal to the mounting bracket with the supplied screws and plastic sleeves.

6



- a** For hygiene reasons it is recommended to seal the joint between the urinal and the wall mounting with silicone.
- b** Rinse the urinal with about 5 litres of cold water and then add 150 ml of the sealing liquid.
- c** Hide the screw heads by using the cover caps and place the strainer into the bowl.
- d** Once the fragrance sticks have been added the urinal is ready for use.